



2010 *Public Use* Application Guide • Volume 11 • Issue 2 • 10-14-10



**NCL2 CENTURY-2 SERIES™**

## NCL2 Century-2 Series™ Features



- fully automatic NHTSA compliant lift, operated by an attendant
- loading position - either direction
- interfaces with OEM interlocks
- lift mounted lights - platform illuminated as it deploys
- hand control with illuminated functions
- locking mechanical Inboard Barrier (IB), powder coated yellow for safety and high visibility, prevents movement if occupied
- pump design prevents platform folding when occupied, quiet operation and low current draw
- durable redesigned baseplate reduces lift weight and allows for quicker and easier service of hose/wiring
- easily installed, step-by-step installation instructions, no peripheral hardware required
- visual and audible warning provides notification of unsafe conditions
- spring-loaded outer barrier that will transition to the fully up position as the platform leaves the ground, has durable rubber nose guard and is powder coated yellow for safety and high visibility
- parallel arms lift with hydraulic cylinders
- side or rear door application
- several platform widths and lengths
- dual handrails for security and convenience
- bridging feature permits the wheelchair user to board the lift from sidewalks or inclines
- floor to ground travel is 48" (54" floor to ground model available)
- lifting capacity is 800 lbs (1000 lbs lifting capacity model available)
- integrated back-up pump
- equipped with an adjustable anti-rattle feature to avoid unpleasant noise in the vehicle during transit
- durable high-gloss powder coated finish
- Lift-Tite system stows the lift platform securely while the vehicle is in transit
- pump module with removable cover offers easy access to all components

# NCL2 Century-2 Series™ Models

## NCL917IB-2 & NCL917FIB-2

**NHTSA Compliant** Usable Platform: 33" x 51"

## NCL919IB-2 & NCL919FIB-2

**NHTSA Compliant** Usable Platform: 34" x 51"

## NCL954IB3454-2 & NCL954FIB3454-2

**NHTSA Compliant** Usable Platform: 34" x 54"

**F** = Front Pump **IB** = Inboard Barrier For a front-mounted pump assembly, add "F" to the model number when ordering (example: NCL917FIB-2).

**General Function:** Electrohydraulic, power up/gravity down operation

**Operation:** Hydraulic pump with two lifting cylinders

**Control:** hand-held control box

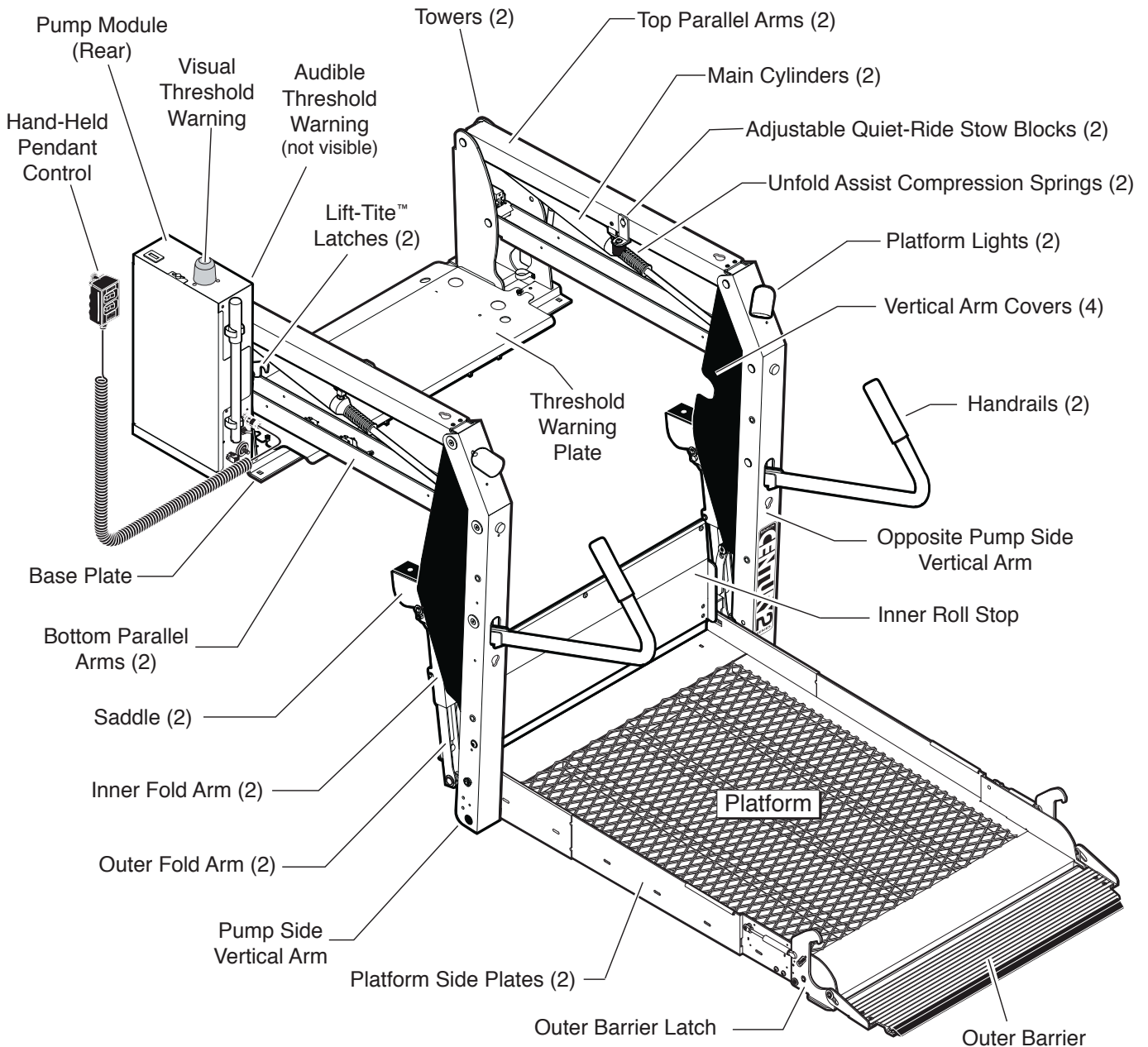
**Hydraulic:** Pressure Max. 2,495 psi, Fluid is Unavis HVI 26, oil reservoir is .33 gal

**Construction:** Steel structure with powder coat finish

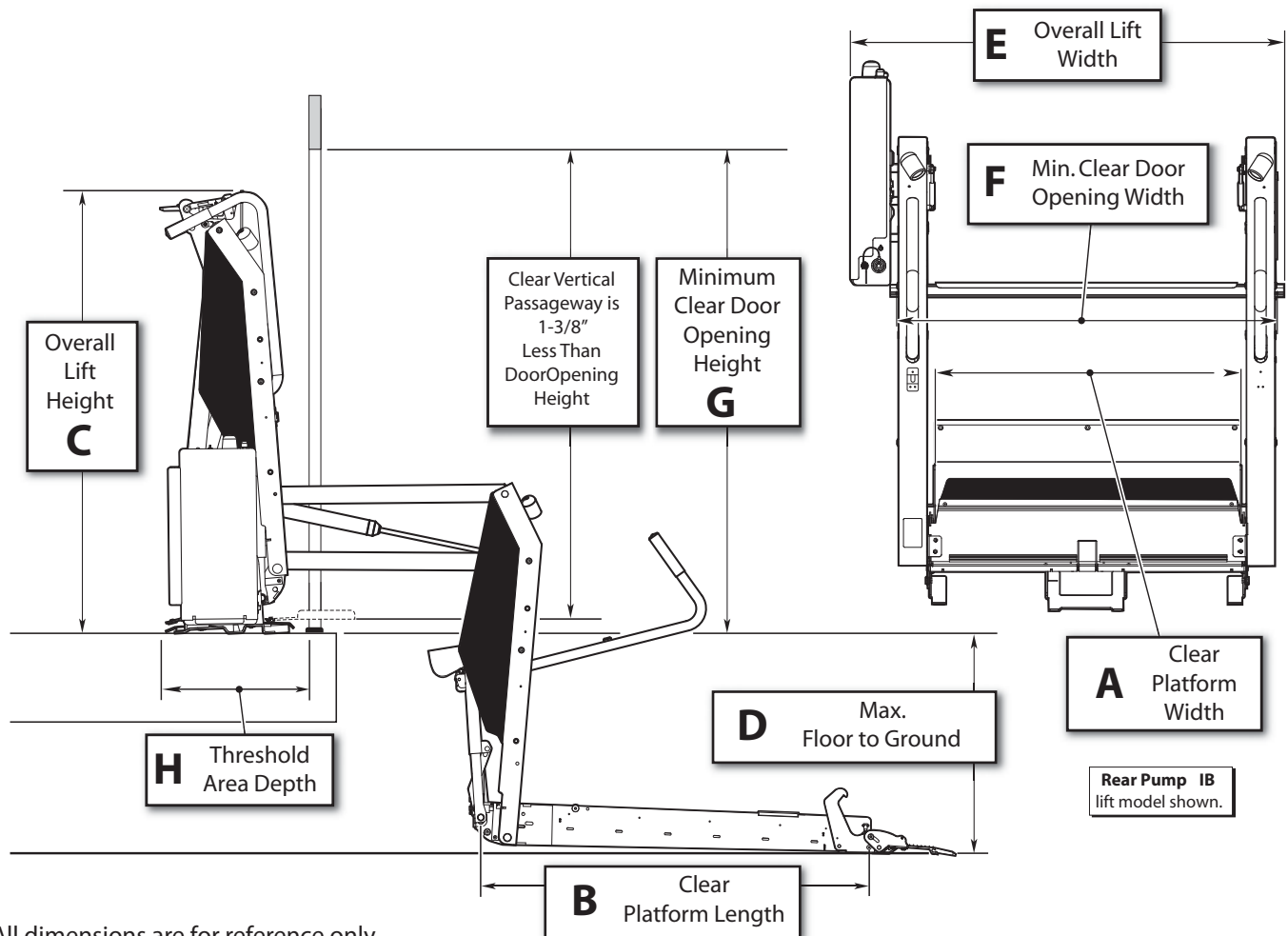
**Operating Temperature:** 0°F to 140°F

**Power Supply:** 12VDC

**Current Consumption:** Max. 70A (12V)



# NCL2 Century-2 Series™ Dimensions



All dimensions are for reference only.

| NCL2 • Century-2 Series          |                 |                      | A                    | B                     | C                   | D                    | E                  | F                             | G                              | H                    |
|----------------------------------|-----------------|----------------------|----------------------|-----------------------|---------------------|----------------------|--------------------|-------------------------------|--------------------------------|----------------------|
| Lift Model Number                | Lift Weight lbs | Lifting Capacity lbs | Clear Platform Width | Clear Platform Length | Overall Lift Height | Max. Floor to Ground | Overall Lift Width | Min. Clear Door Opening Width | Min. Clear Door Opening Height | Threshold Area Depth |
| NCL917IB-2 / NCL917FIB-2         | 358             | 800                  | 33"                  | 51"                   | 56.25"              | 48"                  | 46"                | 42"                           | 57.375"                        | 18"                  |
| NCL919IB-2 / NCL919FIB-2         | 358             | 800                  | 34"                  | 51"                   | 56.25"              | 48"                  | 47"                | 43"                           | 57.375"                        | 18"                  |
| NCL954IB3454-2 / NCL954FIB3454-2 | 406             | 1000                 | 34"                  | 54"                   | 60.5"               | 54"                  | 47"                | 43"                           | 61.625"                        | 19"                  |

## NHTSA Interlock Kit Options



\* Plug & Play Kits are used in conjunction with Interlock Kits

- 36258 GM Public Use Interlock Kit - 2008 to 2010 Vans
- 32542 GM Public Use Interlock Kit - 2001 to 2007 Vans
- 32543 GM Plug & Play Kit\* - 2001 & 2002 Vans
- 36256 Ford Public Use Interlock Kit - 2008 to 2010 Vans
- 32539 Ford Public Use Interlock Kit - 2004 to 2007 Vans
- 32540 Ford Plug & Play Kit\* - 2004-2006 with Trans Code A, F or Q
- 33678 Ford Plug & Play Kit\* - 2007 with Trans Code Q
- 33303 Sprinter Public Use Interlock Kit - 2006 Only
- 32545 Universal Public Use Interlock Kit

# NHTSA Installation Kits



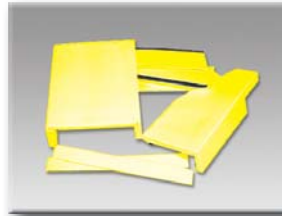
|                                | <u>Side Door</u> | <u>Std. Length<br/>Rear Door</u> | <u>Ext. Length<br/>Rear Door</u> |
|--------------------------------|------------------|----------------------------------|----------------------------------|
| <b>Ford</b>                    | <b>30956K</b>    | <b>30957K</b>                    | <b>30970K</b>                    |
| <b>GM</b>                      | <b>30958K</b>    | <b>30959K</b>                    | <b>30981K</b>                    |
| <b>Sprinter</b> (up to 2006)   |                  | <b>31407K</b>                    |                                  |
| <b>Sprinter</b> (2007 to 2008) | <b>34474KS</b>   | <b>34120KS</b>                   |                                  |

Van Mounting Kits contain floor reinforcements for 403/404 compliance.

# NCL2 Century-2 Series™ Accessories



◀ **23708A913**  
**"Full Curtain"**  
**Lift Cover**  
**(NCL917-2)**



◀ **33673NK**  
**Padding Kit**  
**NCL2 Series**



◀ **24882A**  
**25977A**  
**28757A**  
**24882ARD**

**Reflective Tape Kit for Platform Sideplates**  
**High-Visibility Reflective 3-M Tape Kit**  
**3" Black & Yellow Reflective Tape Kit (FL)**  
**Red & White Reflective Tape Kit (AL)**



◀ **31579KS**  
**Handrail**  
**Restraint**



◀ **33659KS**  
**Replacement**  
**Hand-Held**  
**Control**



◀ **35295K**      **Upper Tower Support Kit - NCL2 Series**



◀ **CHEVY/GMC**  
**19395A96**      **Rear Bumper Replacement Kit for 1996 & Up**  
**DODGE**  
**16327A**      **Rear Bumper Replacement Kit for 1994-1997**  
**16327A98**      **Rear Bumper Replacement Kit for 1998 & Up**

**FORD**

**NOTE:** When ordering 2001 and newer Ford Econoline and Club Wagon Chassis, use order code #762 to receive the painted rear bumper instead of the standard step bumper.

# NCL2 Century-2 Series™ Specifications

## COMMERCIAL WHEELCHAIR LIFT SPECIFICATIONS - IN COMPLIANCE WITH United States Department of Transportation Rules and Regulations 49CFR, Part 38. FROM THE AMERICANS WITH DISABILITIES ACT OF 1990 and NHTSA Rule 403 (2004)

“Provided to make your spec writing easier.”

The wheelchair lift is compliant with Federal Motor Vehicle Safety Standard 403 for platform lift systems for motor vehicles. The lift shall have been tested to a minimum static load of 2400#. The lift shall have 800# rated lifting capacity. The base plate shall be a corrugated designed member to provide rigidity to minimize lift deflection when placed under load.

The power supply shall be a 12 volt electro-hydraulic system operating two single-acting cylinders. The hydraulic power pack system shall be of modular design allowing for easy removal and field replacement, if needed. The operation of the unit shall provide a smooth, jerk-free ride in both up and down directions. The power operation of the hydraulic cylinders shall be of a pull-type design for smooth lifting operation and improved synchronous arm movement. The pivot pins in the trunnion (knuckle) of the pivot arms shall be of stationary design. The hydraulic system shall be regulated by two separate relief valves, one of which is designed to prevent accidental stowing when occupied.

The hand control for lift operation shall be of a one-hand operation design made of durable plastic. The hand control will provide user with illuminated functions. The hand control cable shall be coiled with quick-change connections for ease of maintenance or field change.

A manual back-up system shall be provided to ensure operation of the lift in case of electrical failure. The backup system shall provide a reliable means of manually raising and lowering the lift while occupied. The back-up system shall fold and unfold the platform. The back-up pump shall be integrated with the hydraulic power pack system such that no hydraulic lines or fittings are required.

The platform shall be of steel construction and the surface shall be of see-through grating allowing for improved visibility and safer use in inclement weather. The platform shall have a minimum usable wheelchair passageway width of 33 inches and a minimum usable length of 51 inches requiring a 57 inch vertical clear door opening. The sides of the platform shall be a minimum of 2-1/2 inches high.

The platform shall be automatically folded and unfolded and fully automatic in operation. The platform shall allow both inboard and outboard facing of wheelchair and mobility aid users. The platform entrance ramp shall be extruded aluminum for weight savings, have a rubber leading edge and raised ribs for traction. The outer barrier must not raise if occupied with 25 lbs. The outer barrier shall be the sole outboard wheelchair retention device and shall be interlocked and comply with the FMVSS 403 requirements. Dual handrails shall be provided to add security and convenience. These handrails shall be 1-1/4 inch minimum diameter, minimum 30 inches in height, minimum of 8 inches in length, and withstand a 100# force in any direction (including vertical) without permanent deformation. The lift must have a fail safe system to prevent stowing if solenoid welds. The platform shall have “built in” lighting to meet 404 platform lighting requirements with no auxiliary lighting.

All lift components shall be finished with a baked-on powder coating, which will meet a salt spray test of 1000 hours, to provide corrosion resistance and a long service life. Braun Century 2 Series to include but not limited to the following model numbers:

- NCL917IB-2, NCL917FIB-2, NCL919IB-2, NCL919FIB-2, NCL954IB3454-2, NCL954FIB3454-2



[www.braunlift.com](http://www.braunlift.com)

ISO 9001:2000

631 West 11th Street, Winamac, IN 46996, USA Phone: 574 946 6153 Fax: 574 946 4670